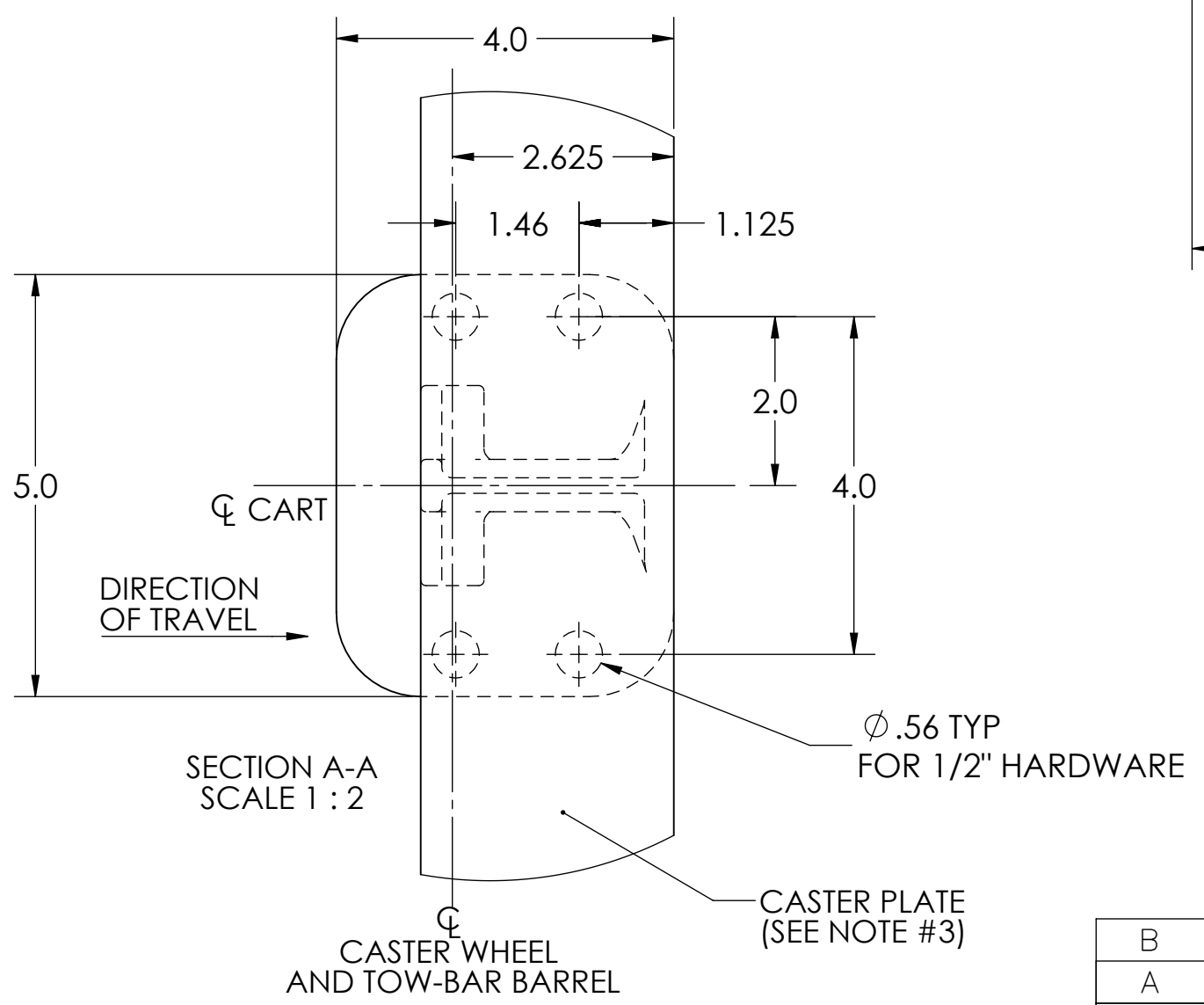


- NOTES:**
1. UNLESS OTHERWISE NOTED, ALL DIMENSIONS AND TOLERANCES SHOWN ARE CONSTRAINTS FOR DESIGN, NOT MANUFACTURING TOLERANCES.
 2. HORIZONTAL BRACE (SHADED SECTION) OF FRAME MUST MAKE BEND FROM LOWER FRAME TOWARD REAR CASTER SUPPORT ABOVE CLR. LINE #2 IN ORDER TO CLEAR CONVEYOR TRACK
 3. CASTER PLATE TO BE MIN. .375 x 3.00 A-36 HOT ROLLED FLAT OR 1018 COLD DRAWN FLAT
 4. TOW BAR ATTACHMENT TO BE ASSEMBLED TO CART BY CART MANUFACTURER PRIOR TO SHIPMENT TO FINAL CUSTOMER.
 5. ANY ANTI-THEFT CASTER TO BE USED MUST BE INSTALLED IN THE RIGHT FRONT POSITION (AS VIEWED WHEN STANDING AT THE CART HANDLE).
 6. IF FRAME IS TO EXTEND FORWARD PAST FRONT CASTER PLATE TO ACT AS A BUMPER, IT MUST BEND UPWARD TO CLEAR CLR. LINE #1.
 7. ANTI-TIP BRACKETS ON CASTERS ARE NOT ALLOWED.
 8. FRONT EDGE OF TOW BAR BARREL TO FURTHEST POINT FORWARD ON CART (FRAME OR BASKET) MUST BE IN THE RANGE GREATER THAN 4.00" AND LESS THAN 8.00"
 9. DETAILED TRACK GEOMETRY CAN BE FOUND ON SHEET 2, AND SHOULD BE USED TO VERIFY CART DESIGN.
 10. FOR A NEW CART DESIGN TO BE APPROVED FOR USE ON CARTVEYOR EQUIPMENT, PFLOW RECOMMENDS SENDING CAD DATA FOR AN INITIAL ASSESSMENT. A PHYSICAL SAMPLE CART IS REQUIRED FOR FINAL APPROVAL.



TOW BAR ATTACHMENTS	
CARTVEYOR MODEL	TOW BAR PART NO.
MODEL CV (CHAIN)	14167-0000

REV.	DATE	BY	ECN
B	2/26/2020	PK	2020.025
A	12/6/2016	PK	2016.xxx

UNLESS OTHERWISE INDICATED: ALL DIMENSIONS ARE IN INCHES.

TOLERANCES: FRACTIONAL: 1/16 DECIMAL: .XX ±.03 .XXX ±.015 ANGULAR: ±1°

FINISH: MACH. SURFACE FINISH: 257 DO NOT SCALE DRAWINGS

ESTIMATED WEIGHT (LBS) REF: 10600-0000

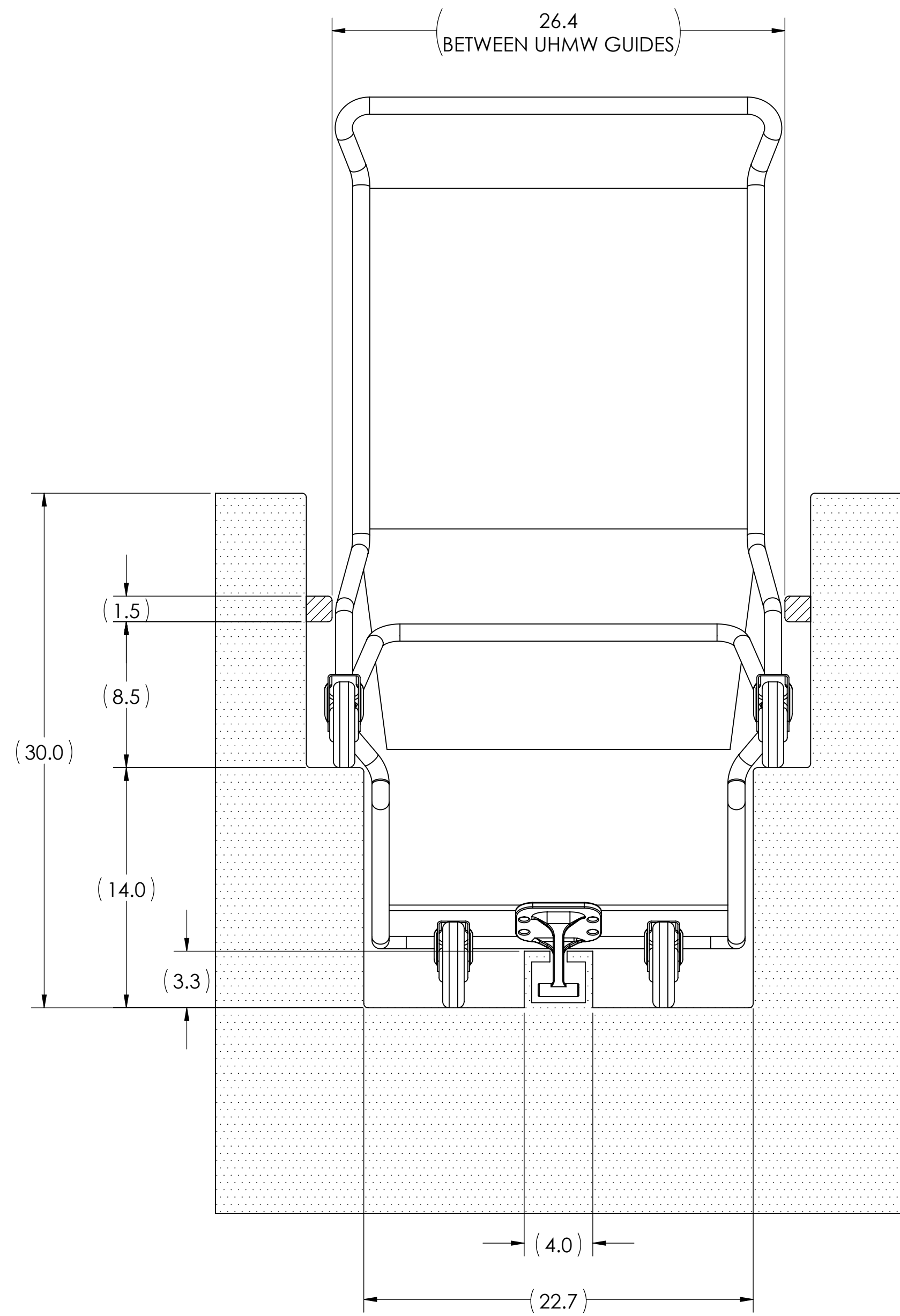
DATE: 01-29-2015 SCALE: 1:4 DRAWING NUMBER: 16490-1000 SHOT: 1 OF 2 REV: B

TITLE: DIMENSIONAL INFORMATION SINGLE TRACK (CV) CARTVEYOR - SHOPPING CART

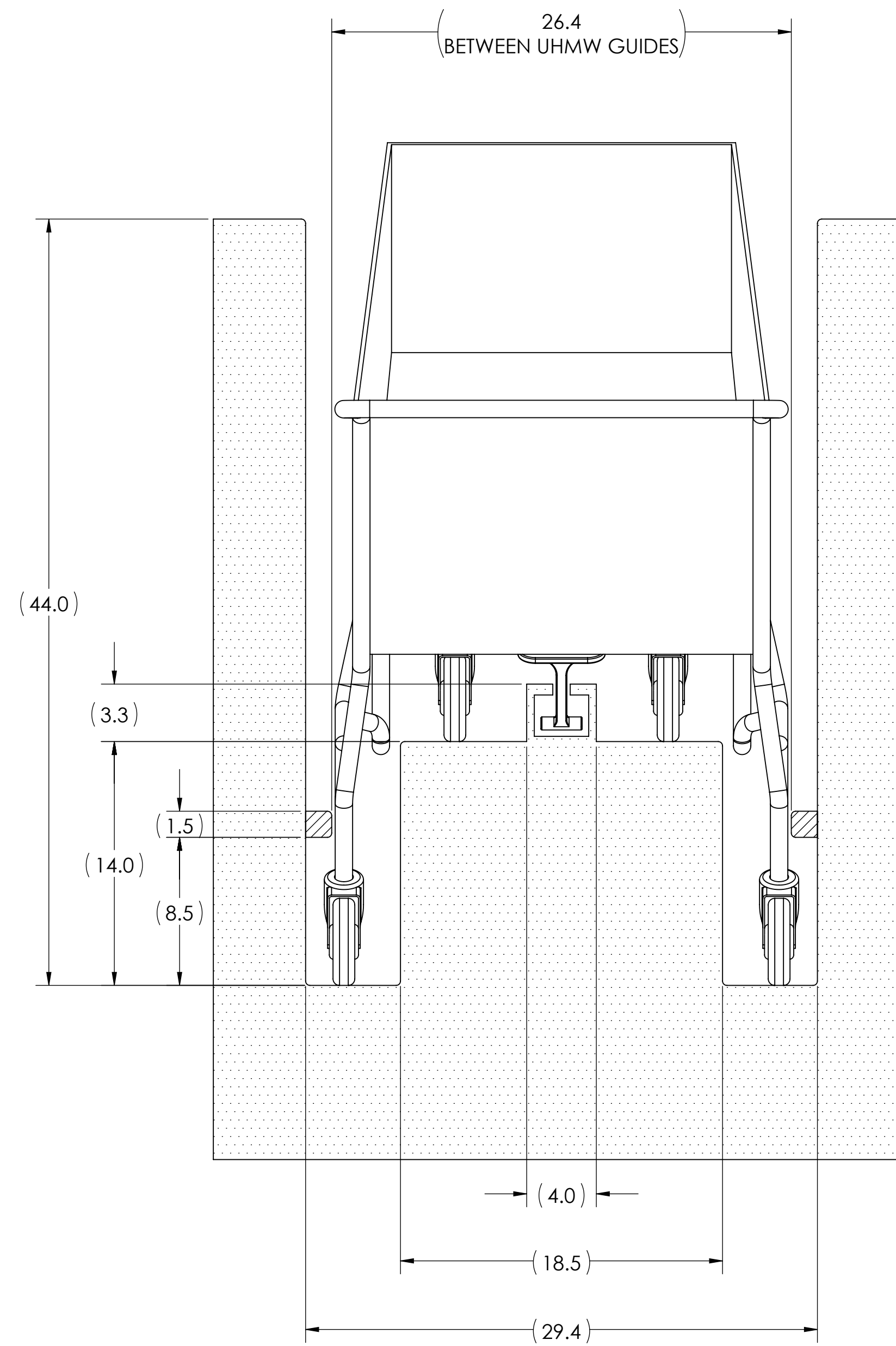
DRAWN: JRE CHECKED: 16490-1000

PFLOW INDUSTRIES MATERIAL HANDLING SOLUTIONS

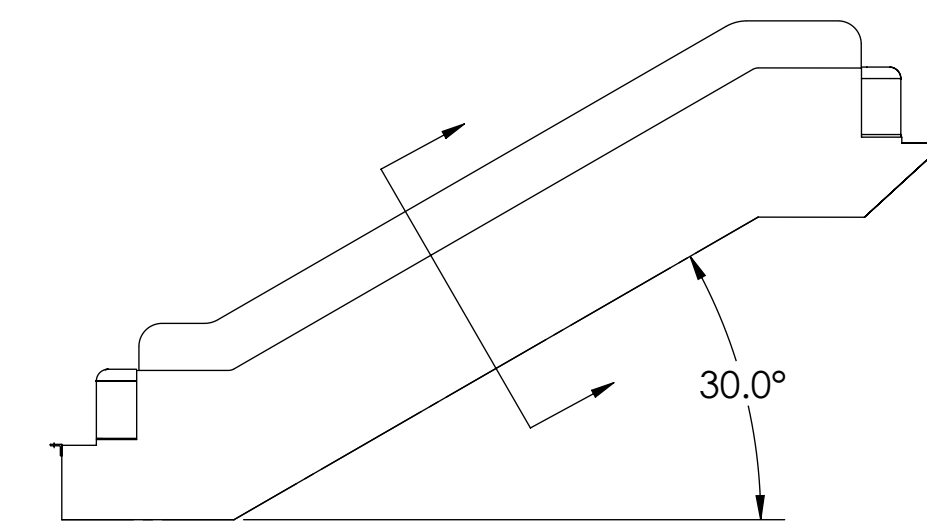
6720 N. TEUTONIA AVE. MILWAUKEE, WI 53209 P (414) 352-9000 F (414) 352-9002



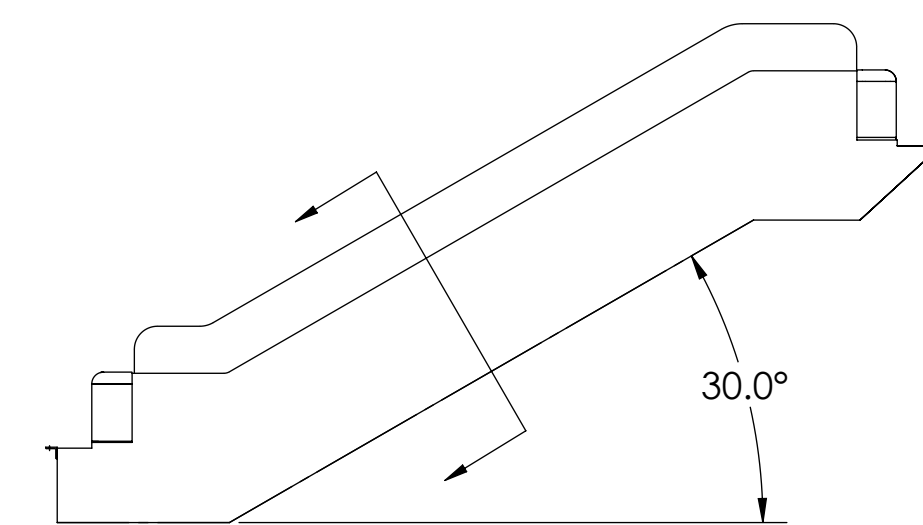
UP UNIT
SINGLE-TRACK CARTVEYOR



DOWN UNIT
SINGLE-TRACK CARTVEYOR



UP UNIT
CROSS-SECTION



DOWN UNIT
CROSS-SECTION

TYPICAL SECTIONS THRU
MID-TRUSS

<p>UNLESS OTHERWISE INDICATED: ALL DIMENSIONS ARE IN INCHES.</p> <p>TOLERANCES: FRACTIONAL: 1/16 DECIMAL: .XX ±.03 ANGULAR: ±1° MATCH SURFACE FINISH: 257 DO NOT SCALE DRAWINGS</p>				<p>THIS PRINT INCLUDING THE DESIGN AND PRINCIPLES OF CONSTRUCTION IS THE PROPERTY OF PFLOW INDUSTRIES, INC. AND MUST BE RETURNED ON DEMAND. THE INFORMATION CONTAINED HEREON IS CONFIDENTIAL AND MAY NOT BE USED NOR DIVULGED WITHOUT PERMISSION OF PFLOW INDUSTRIES, INC.</p>			
<p>REV. DATE BY ECN</p>				<p>ESTIMATED WEIGHT (LBS)</p>			
B	2/26/2020	PK	2020.025	10600-0000	<p>DATE 01-29-2015 SCALE 1:8 DRAWING NUMBER 16490-1000 SH 2 REV B</p>		
A	12/6/2016	PK	2016.xxx		<p>DRAWN JRE CHECKED</p>		
<p>REVISIONS</p>				<p>REF. 10600-0000</p>			

PFLOW
INDUSTRIES

MATERIAL HANDLING SOLUTIONS

6720 N. TEUTONIA AVE.
MILWAUKEE, WI 53209
P (414) 352-9000
F (414) 352-9002